

# HR-2620GHV

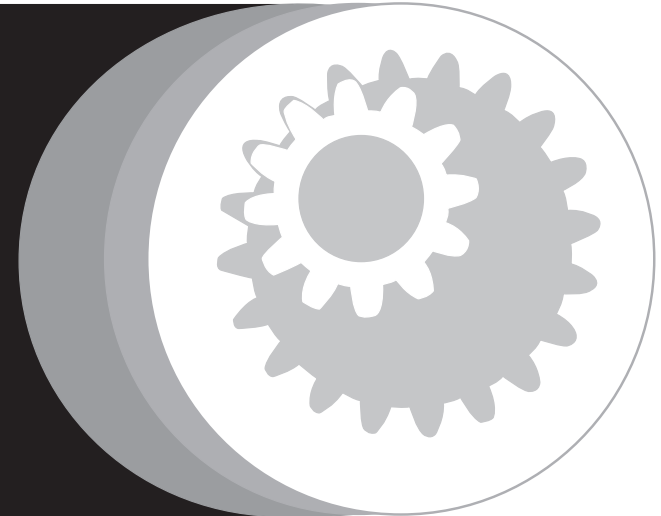
# HR-2620GMV

## Cold Water Pressure Washer



**JOHN DEERE**

### PARTS CATALOG



<b>ENGINE OIL GRADE:</b>	<b>SAE10W-30</b>
<b>ENGINE OIL CAPACITY:</b>	
HR-2620GHV	20 oz.
HR-2620GMV	19 oz.
<b>PUMP OIL GRADE:</b>	<b>75W90 Synthetic</b>
<b>PUMP OIL CAPACITY:</b>	<b>2.2 oz.</b>
<b>NOZZLE SIZE:</b>	
HR-2620GHV	1.15 mm
HR-2620GMV	2.7 mm

1-877-JD-KLEEN (1-877-535-5336)

This Parts Listing has been compiled for your benefit. You can be assured your John Deere Cold Water Pressure Washer was constructed and designed with quality and performance in mind. Each component has been rigorously tested to insure the highest level of acceptance.

The contents of this Parts Listing are based on the latest product information available at the time of publication. John Deere reserves the right to make changes in price, color, materials, equipment, specifications or models at any time without notice.

**WARNING**

THIS IS A PROFESSIONAL HIGH PRESSURE, COLD WATER PRESSURE WASHER. CAUTION SHOULD BE OBSERVED WHEN USING OR REPAIRING THIS UNIT! READ AND FOLLOW THE SAFETY WARNINGS LISTED BELOW BEFORE ATTEMPTING ANY REPAIRS ON THIS PRESSURE WASHER!

**SAFETY WARNINGS**

1. NEVER alter or modify the equipment. Be sure any accessory items and system components being used will withstand the pressure developed. Use only genuine manufacturer replacement parts for repair of your pressure washer. Failure to do so can cause hazardous operating conditions and will VOID warranty.
2. NEVER make adjustments on machinery while the unit is connected to the power source. Turning over the machinery by hand during adjustment or cleaning might start the machinery, causing serious injury to the operator.
3. Know how to stop and bleed pressures quickly. Be thoroughly familiar with controls.
4. Before servicing the unit, turn unit off, relieve the water pressure and allow the unit to cool down. Do not make repairs while the unit is running. Service in a clean, dry, flat area.
5. After testing the machine, DO NOT leave the pressurized unit unattended. Shut off the unit and release trapped pressure before leaving.

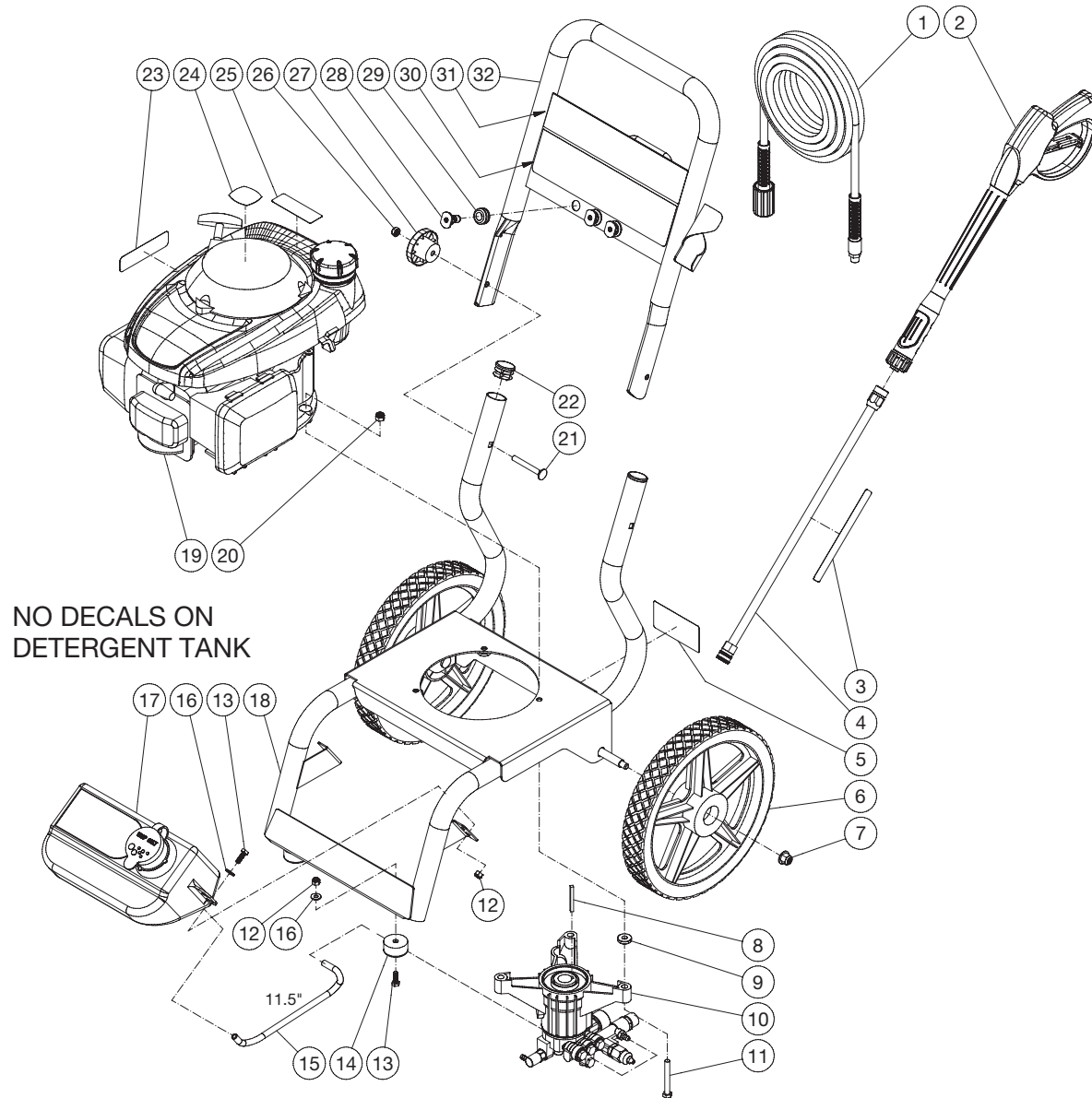
**Table of Contents**

**SPECIFICATIONS.....3**  
**HR-2620GHV AND HR-2620GMV .....4**  
**PUMP ASSEMBLY (3-0424) .....6**

## SPECIFICATIONS

Model Number	HR-2620GHV	HR-2620GMV
Operating Pressure (PSI/Bar):	2600/179	
High Pressure Nozzle:	2.7 mm	
Water Volume (GPM/lpm):	2.3/8.7	
Engine:	Honda	Mi-T-M
Model	GCV160	RV170
Engine Type	4 Stroke, Overhead Cam, Single Cylinder	4 Stroke, Overhead Valve, Single Cylinder
Oil Type	SAE10W-30	
Oil Capacity (oz./liters)	20/.6	19/0.55
Fuel Type	Unleaded Gasoline 86 Octane Minimum	
Fuel Capacity (gallon/ liters)	.25/.093	.29/1.1
Starting	Recoil	
Maximum No Load RPM	3600 (+/- 100) RPM	3800 (+/- 100) RPM
Pump:	Direct Driven, Oil Bath, Triplex Axial Piston	
Oil Type	Factory Sealed	
Oil Capacity (oz./liters)	2.2/.07	
Plungers	Stainless Steel	
Manifold	Aluminum	
Valves	Plastic	
Unloader	Preset	
Detergent Injector	Low pressure down stream from pump	
Detergent Tank	Yes	
Unit Net Weight (lbs/Kg)	61/28	
Unit Shipping Weight (lbs/Kg)	68/31	
Unit Net Dimension (in/cm)	26.7Lx18.6Wx39.3H/ 68Lx47Wx100H	
Unit Shipping Dimension (in/cm)	23.5Lx18.5Wx26.75H/ 60Lx47Wx68H	

# HR-2620GHV and HR-2620GMV



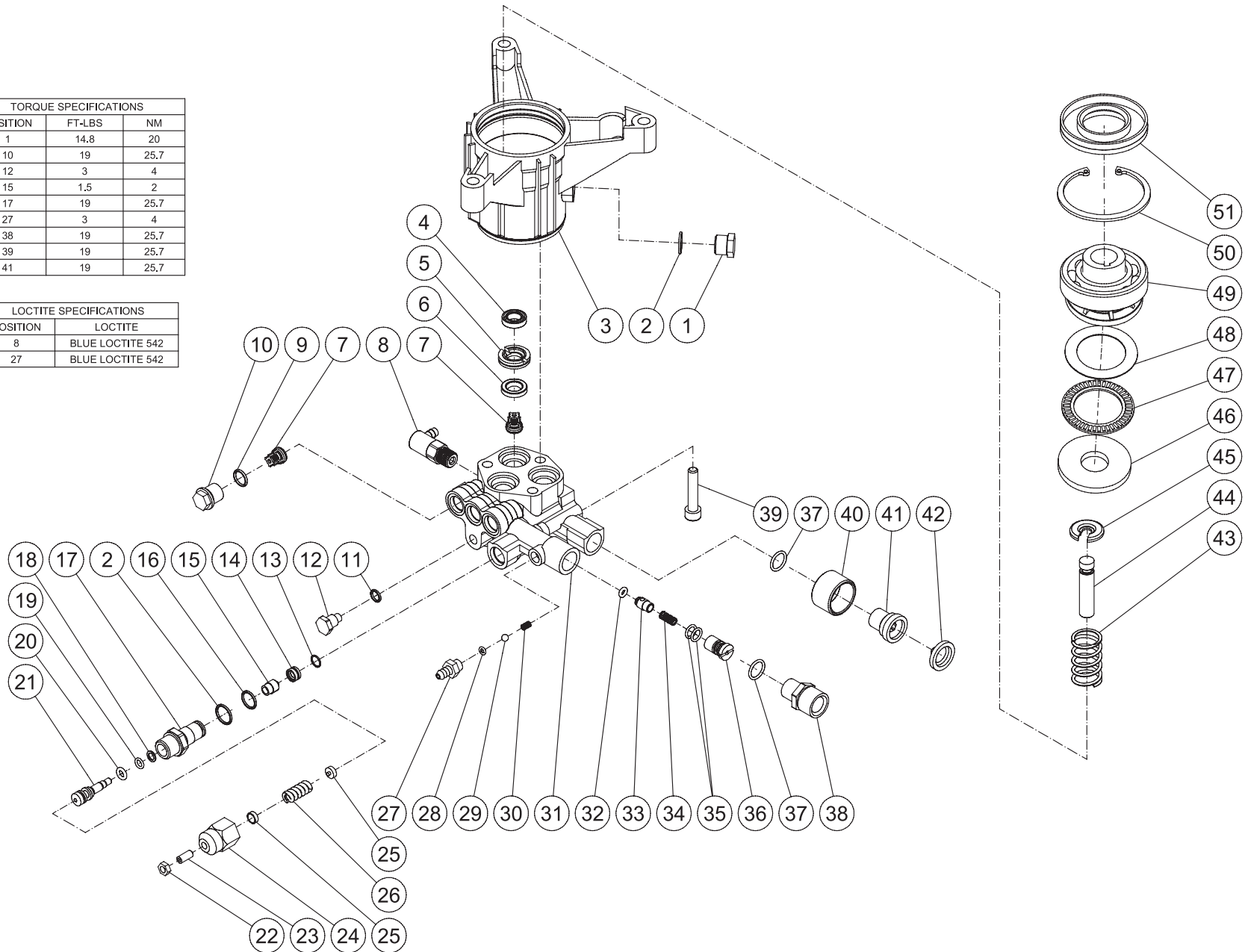
CV-2600-0JHC\_CV-2600-5JMC 050818 JJR

CV-2600-0JHC CV-2600-5JMC 050818 JJR			
FRAME ASSEMBLY			
1	HIGH PRESSURE HOSE	15-0350	1
2	GUN & WAND	16-0442	1
3	DECAL - WARNING RISK OF INJEC (SEE 71-1067)	N/A	1
4	LANCE ASSEMBLY	16-0366	1
5	DECAL- SILVER STICKER	N/A	1
6	WHEEL	14-0112	2
7	LOCKNUT	30-3161	2
8	KEY (0JHC)	43-0073	1
-	KEY (5JMC)	43-0072	1
9	ENGINE SPACER (0JHC)	33-0428	3
10	PUMP	3-0424	1
11	BOLT (0JHC)	27-0073	3
-	BOLT (5JMC)	27-9602	3
12	LOCKNUT	30-0155	6
13	BOLT	27-0015	6
14	ISOLATOR	14-0069	2
15	HOSE *(ONE FOOT REQUIRED)	15-0021	1
16	WASHER	28-0002	6
17	CHEMICAL TANK W/CAP	12-0261	1
18	FRAME	5-0356A51	1
19	ENGINE (0JHC)	1-0131	1
-	ENGINE (5JMC)	1-0222	1
20	LOCKNUT	30-0157	3
21	CARRIAGE BOLT	31-0053	2
22	PLUG	39-0380	2
23	DECAL - WARNING RISK OF BURNS (SEE 71-1067)	N/A	1
24	DECAL- LEAPING DEER (5JMC)	34-1975	1
25	DECAL-CAUTION RISK OF FIRE (SEE 71-1067)	N/A	1
26	LOCKNUT	30-0178	2
27	KNOB	7-0261	2
28	NOZZLE - 15°	18-0426	1
-	NOZZLE - 25°	18-0427	1
-	NOZZLE 65° DETERGENT	18-0386	1
29	GROMMET	33-0001	3
30	DECAL - WARNING/CAUTION/OPERATION (SEE 71-1067)	N/A	1
31	DECAL - HR-2620GHV (0JHC)	34-3670	1
-	DECAL - HR-2620GMV (5JMC)	34-3671	1
32	HANDLE	7-0264A51	1
-	DECAL SET - (E/F)	71-1067	1
*MUST ORDER IN ONE FOOT LENGTHS			

# PUMP ASSEMBLY (3-0424)

TORQUE SPECIFICATIONS		
POSITION	FT-LBS	NM
1	14.8	20
10	19	25.7
12	3	4
15	1.5	2
17	19	25.7
27	3	4
38	19	25.7
39	19	25.7
41	19	25.7

LOCTITE SPECIFICATIONS	
POSITION	LOCTITE
8	BLUE LOCTITE 542
27	BLUE LOCTITE 542



3-0424 011516 CH

PUMP ASSEMBLY							
ITEM	DESCRIPTION	PART #	QTY	ITEM	DESCRIPTION	PART #	QTY
1	PLUG	39-0102	1	27	HOSE BARB (SEE KIT 70-0627)	SEE KIT	1
2	O-RING (SEE KIT 70-0446 OR 70-0413)	25-0510	2	28	O-RING (SEE KIT 70-0446 OR 70-0413)	25-0371	1
3	CRANKCASE	N/A	1	29	BALL (SEE KIT 70-0627)	8-0521	1
4	OIL SEAL (SEE KIT 70-0411)	SEE KIT	3	30	SPRING (SEE KIT 70-0627)	8-0520	1
5	PACKING RETAINER	46-1177	3	31	PUMP HEAD	46-1258	1
6	WATER SEAL (SEE KIT 70-0464)	46-1259	3	32	O-RING (SEE KIT 70-0413 OR 70-0560)	25-0406	1
7	VALVE COMPLETE (SEE KIT 70-0556)	SEE KIT	6	33	VALVE (SEE KIT 70-0560)	46-1422	1
8	THERMAL RELIEF VALVE	22-0408	1	34	SPRING (SEE KIT 70-0560)	49-0124	1
9	O-RING	25-0673	3	35	O-RING (SEE KIT 70-0413 OR 70-0560)	25-0343	2
10	VALVE CAP	39-0253	3	36	INJECTOR (SEE KIT 70-0560)	46-1423	1
11	O-RING	25-0382	1	37	O-RING (SEE KIT 70-0413)	25-0536	2
12	GRUB SCREW	27-9599	1	38	OUTLET FITTING	46-1255	1
13	O-RING (SEE KIT 70-0446 OR 70-0413)	25-0500	1	39	BOLT	27-9590	3
14	SEAT (SEE KIT 70-0446)	8-0570	1	40	FITTING	46-1178	1
15	POPPET (SEE KIT 70-0446)	8-0569	1	41	INLET FITTING	46-1256	1
16	O-RING (SEE KIT 70-0446 OR 70-0413)	25-0387	1	42	FILTER	19-0001	1
17	PISTON GUIDE (SEE KIT 70-0446)	8-0566	1	43	SPRING	49-0160	3
18	O-RING (SEE KIT 70-0446)	25-0589	1	44	PISTON (SEE KIT 70-0410)	SEE KIT	3
19	O-RING (SEE KIT 70-0446 OR 70-0413)	SEE KIT	1	45	SPRING RETAINER	46-1183	3
20	O-RING (SEE KIT 70-0446 OR 70-0413)	25-0526	1	46	THRUST WASHER	46-0876	1
21	PISTON (SEE KIT 70-0446)	8-0565	1	47	BEARING	48-0057	1
22	NUT (SEE KIT 70-0446)	30-6024	1	48	THRUST WASHER	48-0056	1
23	SET SCREW (SEE KIT 70-0446)	27-9587	1	49	WOBBLE PLATE ASSEMBLY	46-1621	1
24	ADJUSTMENT BARREL (SEE KIT 70-0446)	8-0564	1	50	SNAP RING	46-1185	1
25	SPRING BUTTON (SEE KIT 70-0446)	8-0501	2	51	OIL SEAL (SEE KIT 70-0411)	26-0290	1
26	SPRING (SEE KIT 70-0446)	49-0157	1				

REPLACEMENT KITS				
KIT #	DESCRIPTION	ITEMS	# OF ASSEMBLIES	#OF CYLINDERS
70-0410	KIT - PISTONS	44	3	3
70-0411	KIT - OIL SEALS	4, 51	3, 1	-
70-0413	KIT - O-RINGS	19-20, 2, 16, 15, 28, 32, 35, 37, 11	1, 2, 1, 1, 1, 1, 2, 2, 1	-
70-0446	KIT - UNLOADER	22-24, 25, 13-21, 26, 2	1, 2, 1, 1, 1	-
70-0464	KIT - WATER SEALS	6	3	3
70-0556	KIT - VALVES	7	6	3
70-0560	KIT - SHUTTER VALVE	32-34, 35, 36	1, 2, 1	-
70-0627	KIT - CHEMICAL INJECTOR	27-30	1	-

